

## Close Throw Adjustable Wall Arm

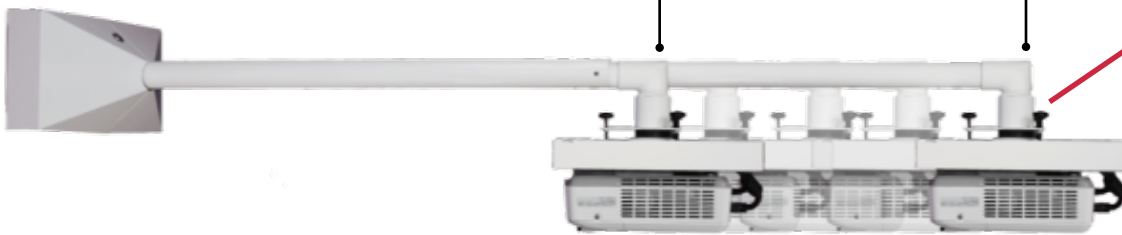


Our Close Throw Adjustable Wall Arm (CTAWA) is the only projector wall mount to provide flexibility, strength and security needed in today's educational environment.

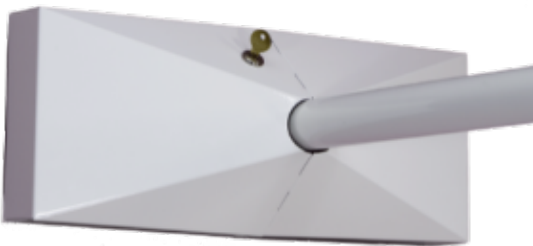


Can be adjusted from 11"- 58" from wall

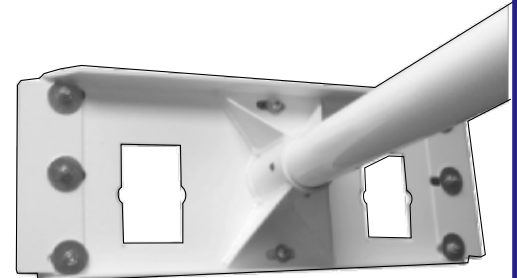
Uses  
standard  
1.5" NPT



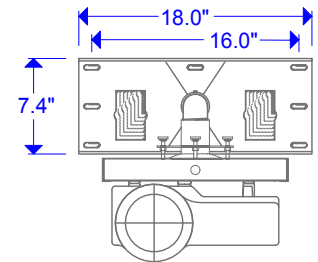
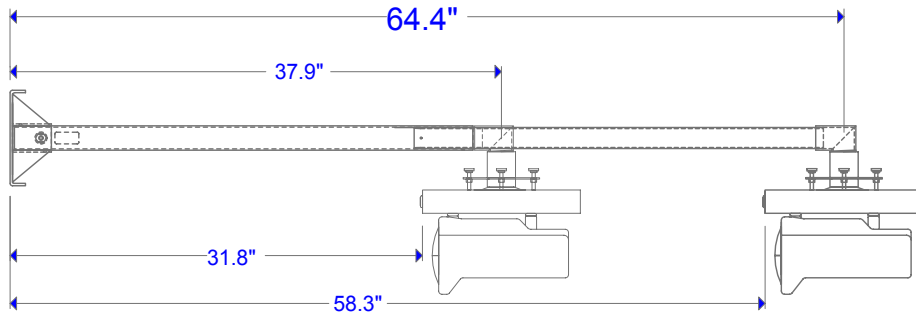
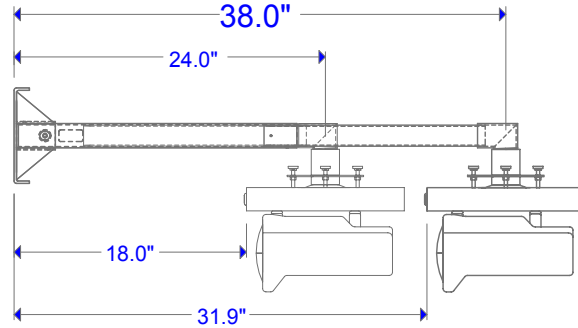
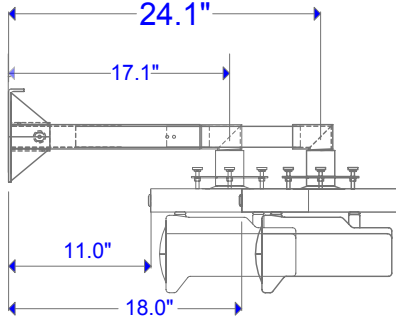
The locking vanity plate will keep the mount secure from any tampering.



The double stud wall plate features knockouts for power or A/V.

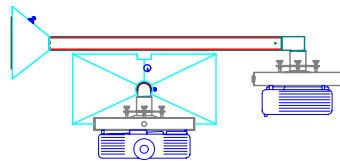


## 3 Length Options



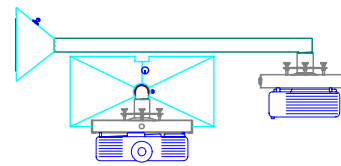
## Configuration Options

Close Throw **ADJUSTABLE** Wall Arm with LCD LOC II and Vanity



**CTAWA**

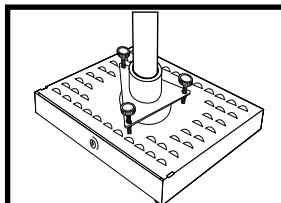
Close Throw **FIXED** Wall Arm with LCD LOC II and Vanity Plate



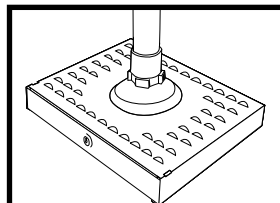
**CTFWA**

(Cut to specific length)

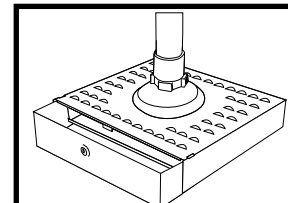
## BMS Mount Options



**LCD LOC II**  
Standard



**LCD LOC II**  
Dual Dome



**LOC IV**  
Media Mount