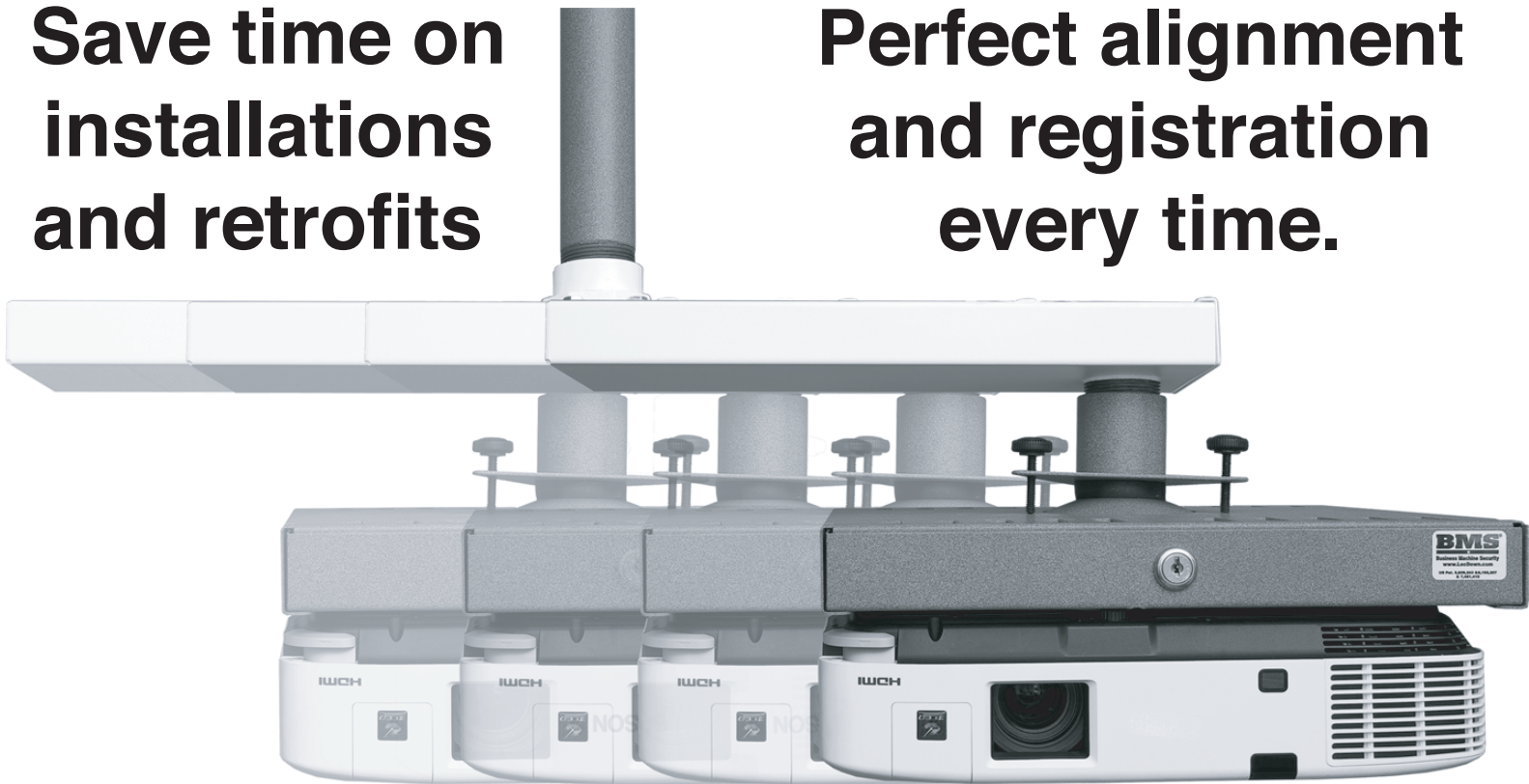


# Adjustable Extension Arm for Projector Mounts

Save time on  
installations  
and retrofits

Perfect alignment  
and registration  
every time.



0" to 12"

**Complete Security -**

once installed unit is completely secured preventing theft of projector.

**Standard Attachment -**

can be attached to any mount using standard 1.5" NPT Pipe

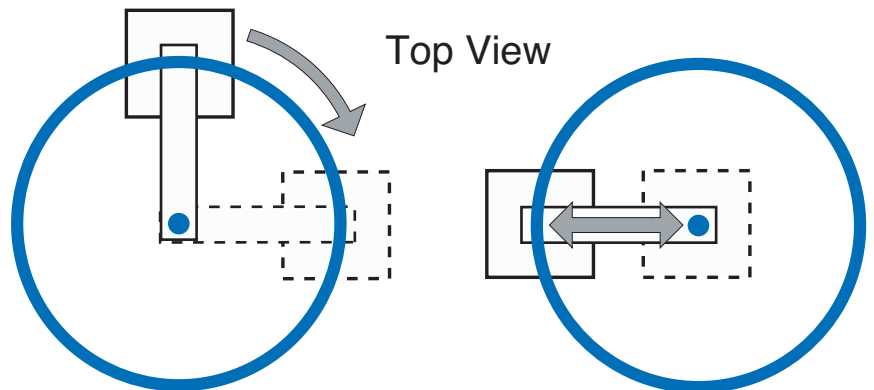
**Versatile -**

puts lens where it needs to be using it's unique adjustability (shown on right)

**Cord Management -**

Cord consolidation in the extension arm is completely hidden

## Adjustability



360 degrees of rotation  
in up to a 24" circle.

Adjusts from  
0" to 12"