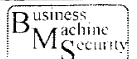


.261" hole is for 1/4 x 20 machine screw & hex nut
 .236 hole is for #12 Sheet metal screw
 SIX 3/8" x 3" studs must be secured through the plate prior to dry wall.
 (Paint Lock) does not need to be painted

TITLE Internal wall Plate	
PART # intwplpt	MATERIAL 11 Gauge CRS
DATE 8-10-2001/5-1-2004	
REVISION A	
DRAWN BY JRU	

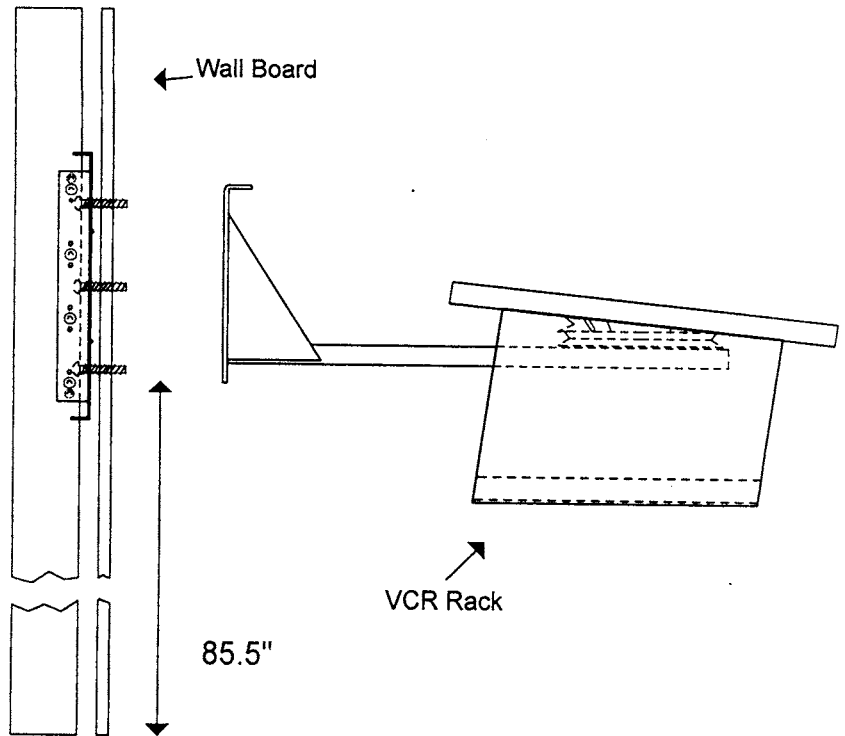


Internal Wall Plate

Metal stud →

← Wall Board

Height of bottom bolt should be 85.5" from floor for bracket with VCR RACK



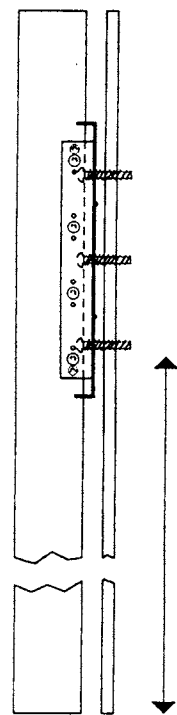
VCR Rack

85.5"

Wall Board

Metal stud →

Height of bottom bolt should be 80" from floor for TV bracket only



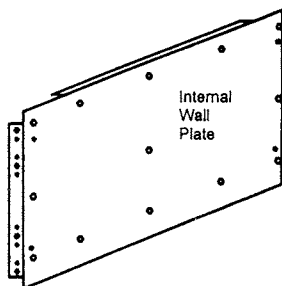
80"

PARTS LIST

Four Sheet Metal Screws

Eight 1/4 x 20 bolts, washers & nuts

Six 3/8" bolts, washers & nuts



Internal Wall Plate

Must use Four 1/4 x 20 bolts, with washers & hex nuts per side. To attach plate to structure.

Can use up to Eight #12 sheet metal screws per side, to hold plate for installation.

Metal Studs
Minimum 20 Gauge

Can use Four #12 sheet metal screws on front

Internal Wall Plate

Six 3/8" studs on front

