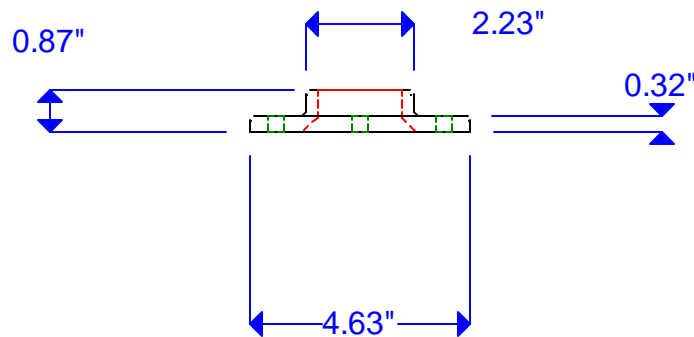


Accepts 1-1/2" I.D. NTP  
 schedule 40 pipe **(NOT INCLUDED)**

4 5/16" diameter holes for  
 expansion anchors or  
 Lag bolts  
 (min. embed. 3")



TITLE: Ceiling Flange		PAGE: 1 Of 1
PART #: CF	MATERIAL: Cast metal	COLOR: Black
DATE: 10-26-2003	BUSINESS MACHINE SECURITY	
REVISION:		
DRAWN BY: JRJ		